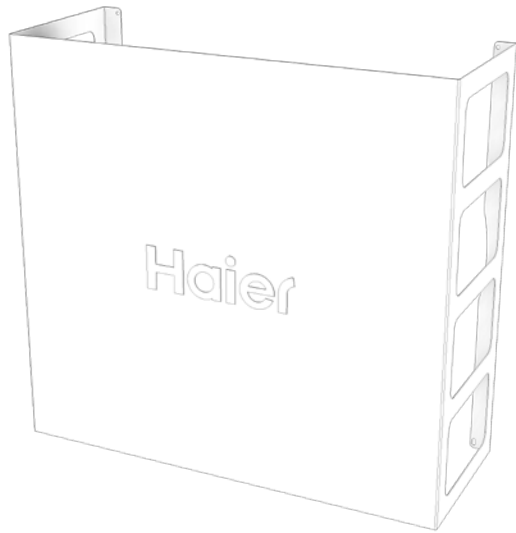


# Haier

## Submittals

### Ductless Wind Baffles

Rev. Aug. 2019



**QAWB37A**

**QAWB38A**

**QAWB39A**

**QAWB40A**

**QAWB41A**

**QAWB42A**

**QAWB43A**

**QAWB44A**

**QAWB45A**



**GE APPLIANCES**  
*a Haier company*

For more information visit us:  
[www.Haierductless.com](http://www.Haierductless.com)  
[www.Haierductlesshelp.com](http://www.Haierductlesshelp.com)

## *Revision History*

**Rev. Aug. 2019** - *Submittal edition release.*

Job Name: \_\_\_\_\_

Purchaser: \_\_\_\_\_

Submitted To: \_\_\_\_\_

Construction: \_\_\_\_\_

Reference: \_\_\_\_\_

Approval: \_\_\_\_\_

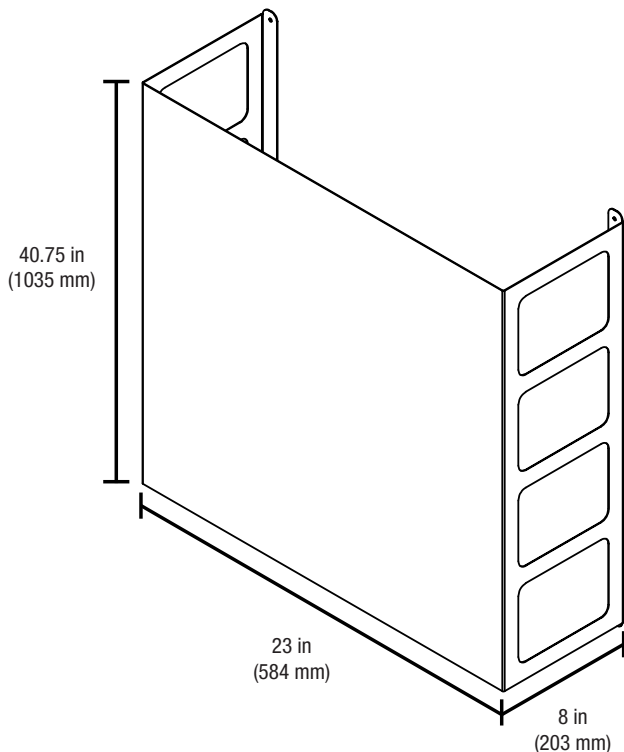
Date: \_\_\_\_\_

Submitted By: \_\_\_\_\_

Unit: \_\_\_\_\_

Drawing #: \_\_\_\_\_

### Dimensions



### Specifications

Material	20 Ga. G90 Galvanized Steel
Finish	Powder Coat

### Compatibility

Tempo Series	1U18TE2VHA
Advanced Series	1U18ES2VHA



**GE APPLIANCES**  
a Haier company

For more information visit us:  
[www.Haierductless.com](http://www.Haierductless.com)  
[www.Haierductlesshelp.com](http://www.Haierductlesshelp.com)

Job Name: \_\_\_\_\_

Purchaser: \_\_\_\_\_

Submitted To: \_\_\_\_\_

Construction: \_\_\_\_\_

Reference: \_\_\_\_\_

Approval: \_\_\_\_\_

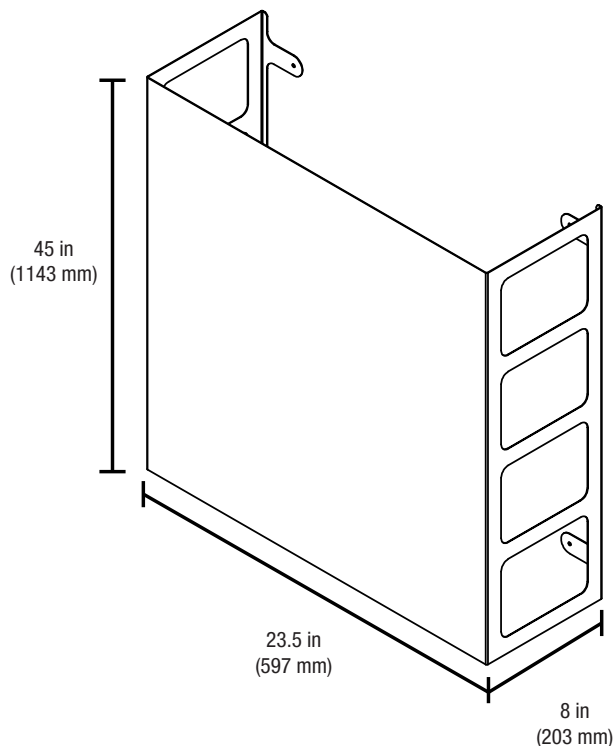
Date: \_\_\_\_\_

Submitted By: \_\_\_\_\_

Unit: \_\_\_\_\_

Drawing #: \_\_\_\_\_

## Dimensions



### Specifications

Material	20 Ga. G90 Galvanized Steel
Finish	Powder Coat

### Compatibility

FlexFit Series	1U24LP2VHA
	1U36LP2VHA
	1U48LP2VHA (requires 2)

Job Name: \_\_\_\_\_

Purchaser: \_\_\_\_\_

Submitted To: \_\_\_\_\_

Construction: \_\_\_\_\_

Reference: \_\_\_\_\_

Approval: \_\_\_\_\_

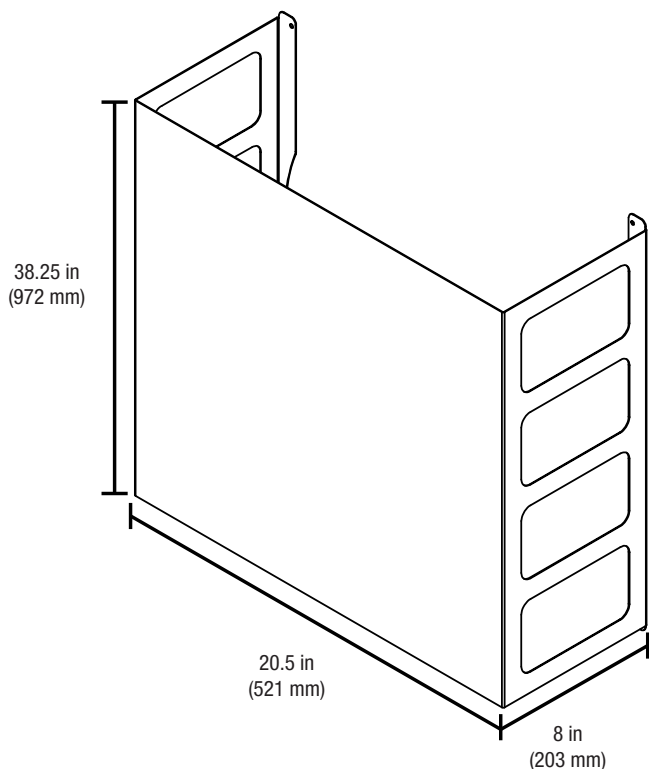
Date: \_\_\_\_\_

Submitted By: \_\_\_\_\_

Unit: \_\_\_\_\_

Drawing #: \_\_\_\_\_

### Dimensions



### Specifications

Material	20 Ga. G90 Galvanized Steel
Finish	Powder Coat

### Compatibility

Arctic Series	1U09EH2VHA 1U12EH2VHA
---------------	--------------------------



**GE APPLIANCES**  
a Haier company

For more information visit us:  
[www.Haierductless.com](http://www.Haierductless.com)  
[www.Haierductlesshelp.com](http://www.Haierductlesshelp.com)

Job Name: \_\_\_\_\_

Purchaser: \_\_\_\_\_

Submitted To: \_\_\_\_\_

Construction: \_\_\_\_\_

Reference: \_\_\_\_\_

Approval: \_\_\_\_\_

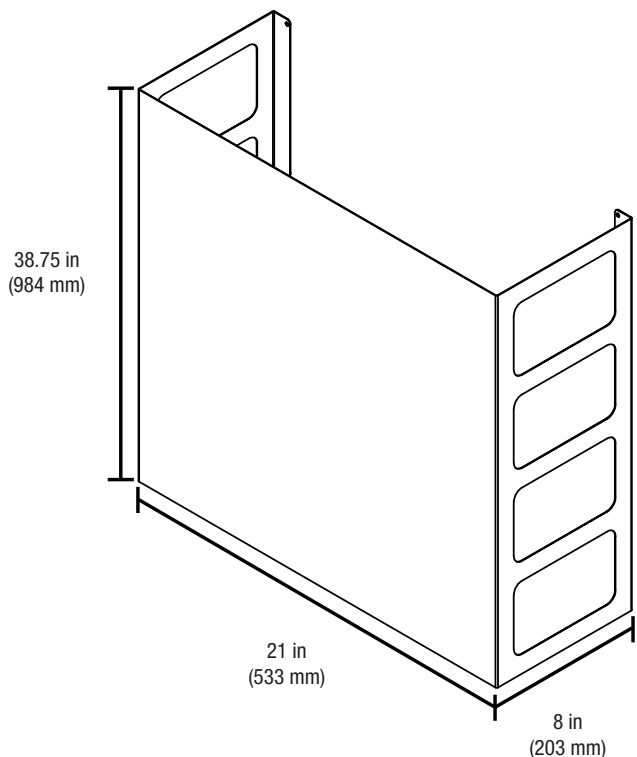
Date: \_\_\_\_\_

Submitted By: \_\_\_\_\_

Unit: \_\_\_\_\_

Drawing #: \_\_\_\_\_

### Dimensions



### Specifications

Material	20 Ga. G90 Galvanized Steel
Finish	Powder Coat

### Compatibility

FlexFit Series	4U36MS2VHB
----------------	------------



**GE APPLIANCES**  
a Haier company

For more information visit us:  
[www.Haierductless.com](http://www.Haierductless.com)  
[www.Haierductlesshelp.com](http://www.Haierductlesshelp.com)

Job Name: \_\_\_\_\_

Purchaser: \_\_\_\_\_

Submitted To: \_\_\_\_\_

Construction: \_\_\_\_\_

Reference: \_\_\_\_\_

Approval: \_\_\_\_\_

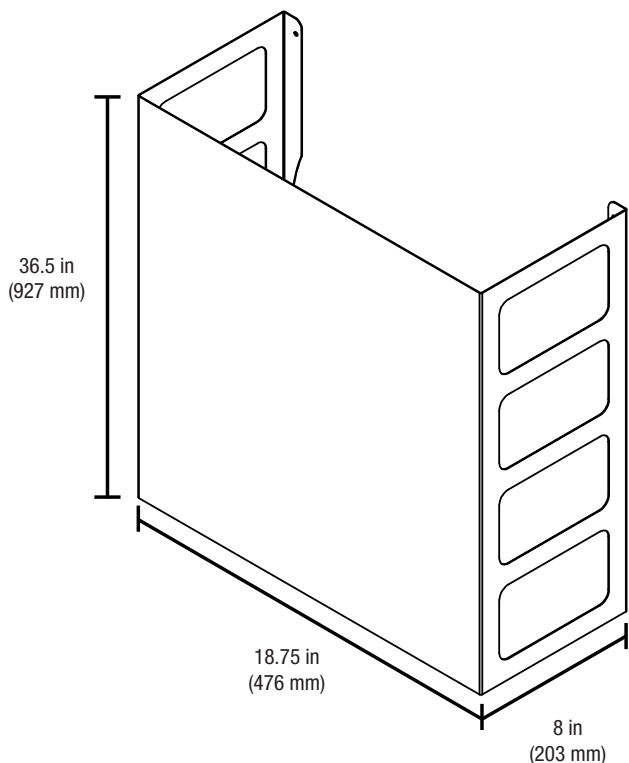
Date: \_\_\_\_\_

Submitted By: \_\_\_\_\_

Unit: \_\_\_\_\_

Drawing #: \_\_\_\_\_

### Dimensions



### Specifications

Material	20 Ga. G90 Galvanized Steel
Finish	Powder Coat

### Compatibility

Tempo Series	1U09TE1VHA 1U12TE1VHA
--------------	--------------------------



**GE APPLIANCES**  
a Haier company

For more information visit us:  
[www.Haierductless.com](http://www.Haierductless.com)  
[www.Haierductlesshelp.com](http://www.Haierductlesshelp.com)

Job Name: \_\_\_\_\_

Purchaser: \_\_\_\_\_

Submitted To: \_\_\_\_\_

Construction: \_\_\_\_\_

Reference: \_\_\_\_\_

Approval: \_\_\_\_\_

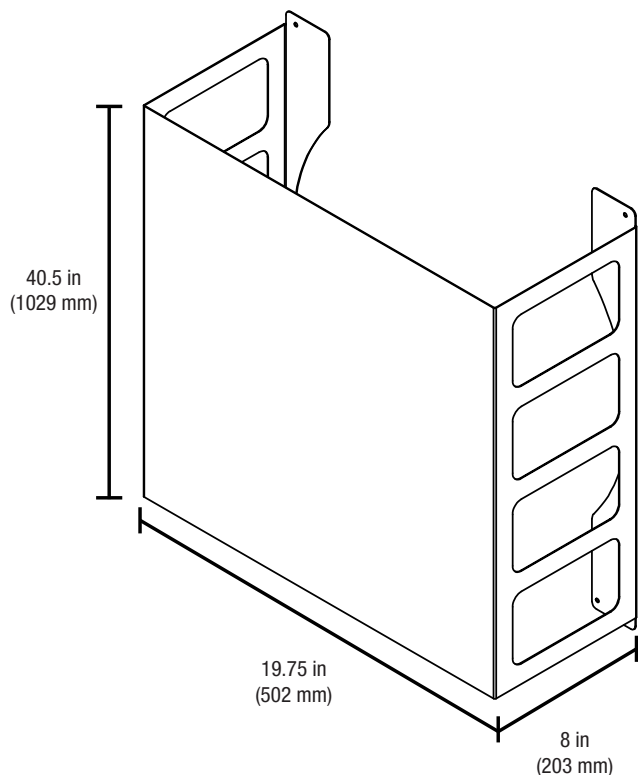
Date: \_\_\_\_\_

Submitted By: \_\_\_\_\_

Unit: \_\_\_\_\_

Drawing #: \_\_\_\_\_

### Dimensions



### Specifications

Material	20 Ga. G90 Galvanized Steel
Finish	Powder Coat

### Compatibility

Advanced Series	1U09ES2VHA 1U12ES2VHA
-----------------	--------------------------



Job Name: \_\_\_\_\_

Purchaser: \_\_\_\_\_

Submitted To: \_\_\_\_\_

Construction: \_\_\_\_\_

Reference: \_\_\_\_\_

Approval: \_\_\_\_\_

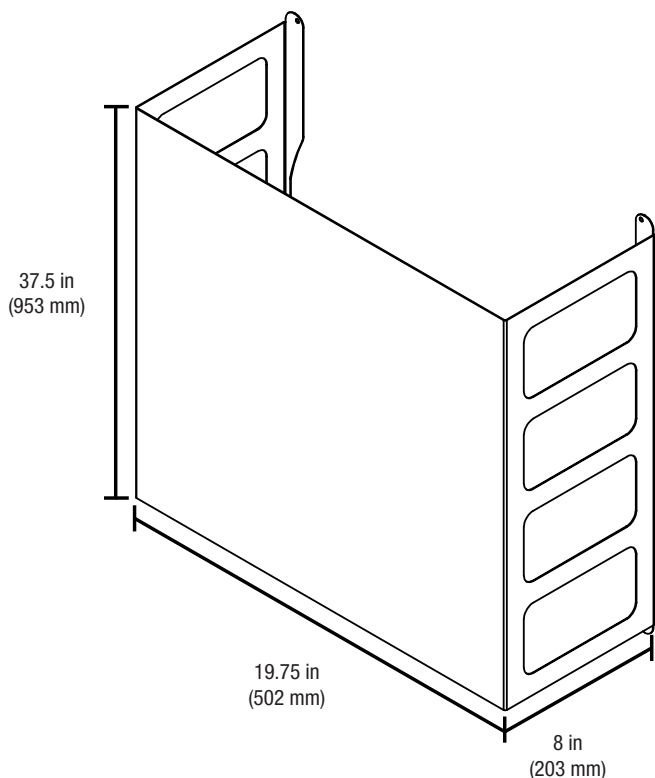
Date: \_\_\_\_\_

Submitted By: \_\_\_\_\_

Unit: \_\_\_\_\_

Drawing #: \_\_\_\_\_

### Dimensions



### Specifications

Material	20 Ga. G90 Galvanized Steel
Finish	Powder Coat

### Compatibility

FlexFit Series	2U18MS2VHB 1U18LC2VHA
----------------	--------------------------



**GE APPLIANCES**  
a Haier company

For more information visit us:  
[www.Haierductless.com](http://www.Haierductless.com)  
[www.Haierductlesshelp.com](http://www.Haierductlesshelp.com)

Job Name: \_\_\_\_\_

Purchaser: \_\_\_\_\_

Submitted To: \_\_\_\_\_

Construction: \_\_\_\_\_

Reference: \_\_\_\_\_

Approval: \_\_\_\_\_

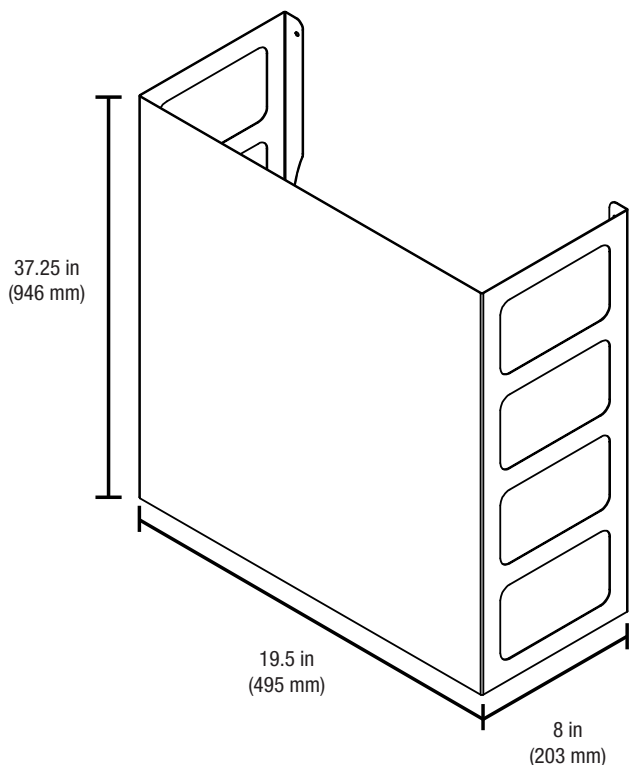
Date: \_\_\_\_\_

Submitted By: \_\_\_\_\_

Unit: \_\_\_\_\_

Drawing #: \_\_\_\_\_

### Dimensions



### Specifications

Material	20 Ga. G90 Galvanized Steel
Finish	Powder Coat

### Compatibility

FlexFit Series	3U24MS2VHB
----------------	------------



**GE APPLIANCES**  
a Haier company

For more information visit us:  
[www.Haierductless.com](http://www.Haierductless.com)  
[www.Haierductlesshelp.com](http://www.Haierductlesshelp.com)

Job Name: \_\_\_\_\_

Purchaser: \_\_\_\_\_

Submitted To: \_\_\_\_\_

Construction: \_\_\_\_\_

Reference: \_\_\_\_\_

Approval: \_\_\_\_\_

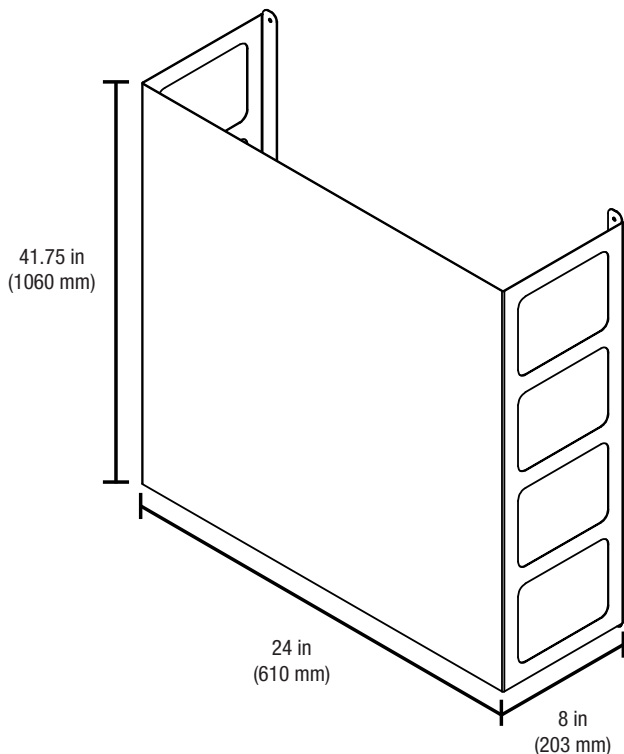
Date: \_\_\_\_\_

Submitted By: \_\_\_\_\_

Unit: \_\_\_\_\_

Drawing #: \_\_\_\_\_

### Dimensions



### Specifications

Material	20 Ga. G90 Galvanized Steel
Finish	Powder Coat

### Compatibility

Tempo Series	1U24TE2VHA
Advanced Series	1U24ES2VHA
Arctic Series	1U18EH2VHA